

CATALOGO GENERALE 2017/18  
General Catalogue 2017/18



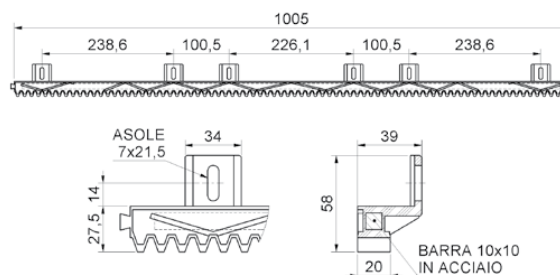
ACCESSORI CANCELLI SCORREVOLI  
Sliding Gates Accessories

art. 824 NY

Crema di nylon c/attacchi superiori mod. medio.  
Nylon medium rack with hinger fixing  
рейка зубчатая пластиковая



FISSARE



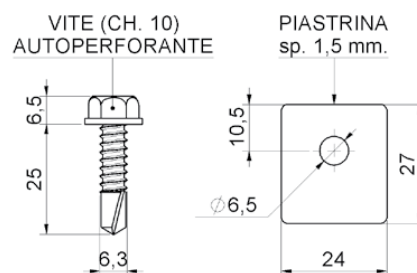
| cod.  | m. | pz/pcs | modulo | nr. denti | passo  | ang. press. |
|-------|----|--------|--------|-----------|--------|-------------|
| 824NY | 1  | 10     | M.4    | 80        | 12,566 | 20°         |

art. 829

Hardware fixing for nylon rack  
болт для крепления рейки  
зубчатой пластиковой



FISSARE



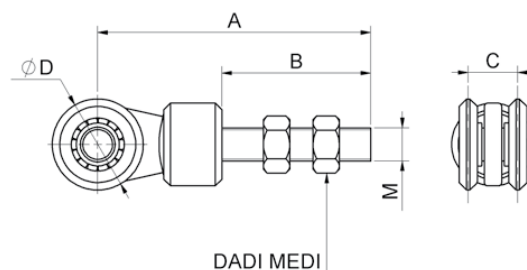
| cod. | m.    | pz/pcs |
|------|-------|--------|
| 829  | UNICA | 60     |

art. 745

Carrello girevole 2 ruote  
Twist trolley 2 wheels/bearings  
тележка подвесная  
2 колеса/подшипника



FISSARE



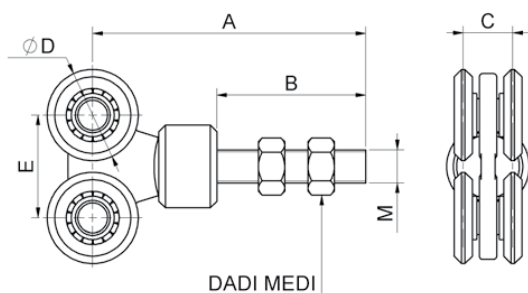
| cod.  | mm.     | pz/pcs | A   | B  | C    | ØD  | M    | portata per coppia |
|-------|---------|--------|-----|----|------|-----|------|--------------------|
| 745.P | PICCOLO | 12     | 83  | 50 | 22   | Ø24 | M8   | 60 kg.             |
| 745.M | MEDIO   | 12     | 128 | 67 | 22,5 | Ø44 | M12  | 200 kg.            |
| 745.G | GRANDE  | 6      | 163 | 89 | 30   | Ø54 | MB18 | 400 kg.            |



ACCESSORI CANCELLI SCORREVOLI  
Sliding Gates Accessories

art. 747

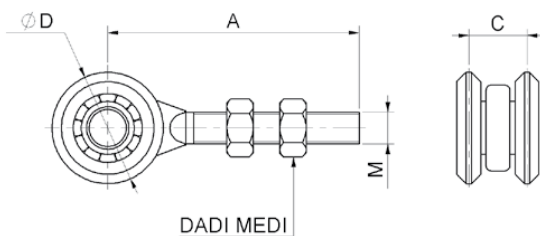
Carrello girevole 4 ruote  
Twist trolley 4 wheels/bearings  
тележка подвесная  
4 колеса/подшипника



| cod.  | mm.     | pz/pcs | A   | B  | C    | ØD  | E  | M    | portata per coppia |
|-------|---------|--------|-----|----|------|-----|----|------|--------------------|
| 747.P | PICCOLO | 6      | 83  | 50 | 22   | Ø24 | 35 | M8   | 85 kg.             |
| 747.M | MEDIO   | 6      | 128 | 67 | 22,5 | Ø44 | 51 | M12  | 650 kg.            |
| 747.G | GRANDE  | 6      | 163 | 89 | 30   | Ø54 | 62 | MB18 | 750 kg.            |

art. 750

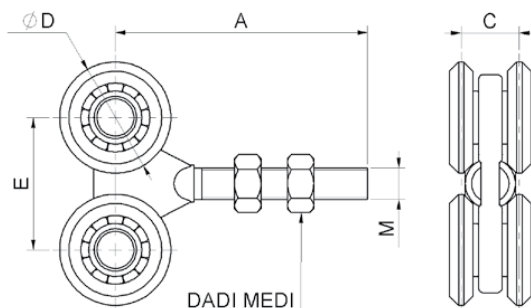
Carrello scorrevole 2 ruote  
Sliding trolley with 2 wheels/bearings  
тележка подвесная  
оцинкованная 2 колеса



| cod.  | mm.     | pz/pcs | A   | C  | ØD  | M   | portata per coppia |
|-------|---------|--------|-----|----|-----|-----|--------------------|
| 750.P | PICCOLO | 12     | 60  | 20 | Ø24 | M8  | 50 kg.             |
| 750.M | MEDIO   | 12     | 95  | 22 | Ø42 | M12 | 220 kg.            |
| 750.G | GRANDE  | 6      | 125 | 30 | Ø55 | M20 | 420 kg.            |

art. 752

Carrello scorrevole 4 ruote  
Sliding trolley with 4 wheels/bearings  
тележка подвесная  
оцинкованная 4 колеса



| cod.  | mm.     | pz/pcs | A   | C  | ØD  | E  | M   | portata per coppia |
|-------|---------|--------|-----|----|-----|----|-----|--------------------|
| 752.P | PICCOLO | 6      | 60  | 20 | Ø24 | 30 | M8  | 75 kg.             |
| 752.M | MEDIO   | 6      | 95  | 22 | Ø42 | 50 | M12 | 670 kg.            |
| 752.G | GRANDE  | 6      | 125 | 30 | Ø55 | 60 | M20 | 760 kg.            |

CATALOGO GENERALE 2017/18  
General Catalogue 2017/18

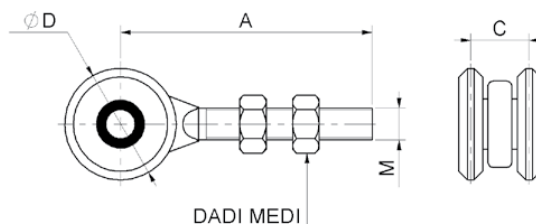


ACCESSORI CANCELLI SCORREVOLI  
Sliding Gates Accessories

art. 753

Carrello scorrevole 2 ruote  
con cuscinetti schermati  
Sliding trolley with 2 screened  
wheels/bearings  
тележка подвесная оцинкованная  
2 колеса на закрытых подшипниках

Versione INOX/Stainless steel art.753IX pag. 198

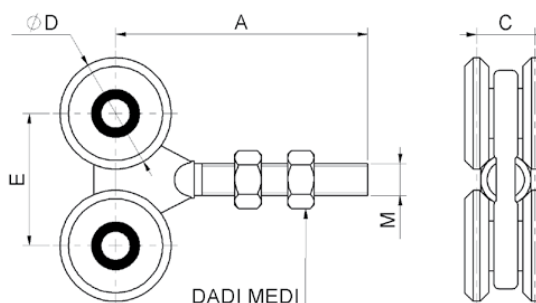


| cod.  | mm.     | pz/pcs | A   | C  | ØD  | M   | portata per coppia |
|-------|---------|--------|-----|----|-----|-----|--------------------|
| 753.P | PICCOLO | 12     | 60  | 20 | Ø24 | M8  | 50 kg.             |
| 753.M | MEDIO   | 12     | 95  | 22 | Ø42 | M12 | 300 kg.            |
| 753.G | GRANDE  | 6      | 125 | 30 | Ø55 | M20 | 550 kg.            |

art. 754

Carrello scorrevole 4 ruote  
con cuscinetti schermati  
Sliding trolley with 4 screened  
wheels/bearings  
тележка подвесная оцинкованная  
4 колеса на закрытых подшипниках

Versione INOX/Stainless steel art.754IX pag. 198

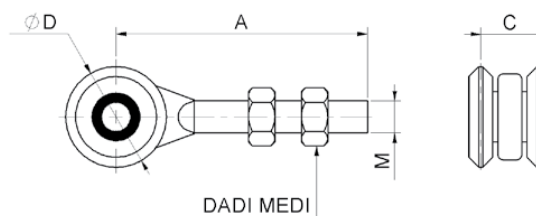


| cod.  | mm.     | pz/pcs | A   | C  | ØD  | E  | M   | portata per coppia |
|-------|---------|--------|-----|----|-----|----|-----|--------------------|
| 754.P | PICCOLO | 6      | 60  | 20 | Ø24 | 30 | M8  | 75 kg.             |
| 754.M | MEDIO   | 6      | 95  | 22 | Ø42 | 50 | M12 | 900 kg.            |
| 754.G | GRANDE  | 6      | 125 | 30 | Ø55 | 60 | M20 | 1000 kg.           |

art. 755 NY

Carrello scorrevole 2 ruote nylon  
con cuscinetti schermati  
Nylon sliding trolley with  
2 screened wheels/bearings  
тележка подвесная с  
нейлоновыми роликами

Versione INOX/Stainless steel art.755NYIX pag. 199



| cod.    | mm.     | pz/pcs | A  | C  | ØD  | M   | portata per coppia | cusc. schermati |
|---------|---------|--------|----|----|-----|-----|--------------------|-----------------|
| 755NY.P | PICCOLO | 12     | 60 | 20 | Ø24 | M8  | 15 kg.             | no              |
| 755NY.M | MEDIO   | 12     | 95 | 22 | Ø40 | M12 | 150 kg.            | si              |

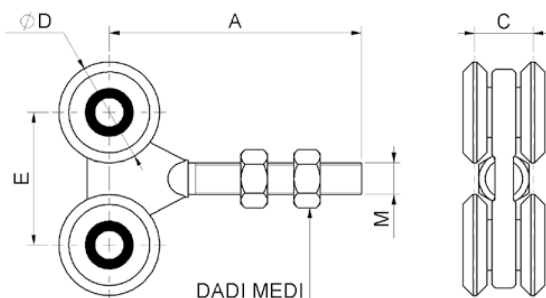


ACCESSORI CANCELLI SCORREVOLI  
Sliding Gates Accessories

art. 756 NY

Carrello scorrevole 4 ruote nylon con cuscinetti schermati  
Nylon sliding trolley with 4 screened wheels/bearings  
тележка подвесная с нейлоновыми роликами

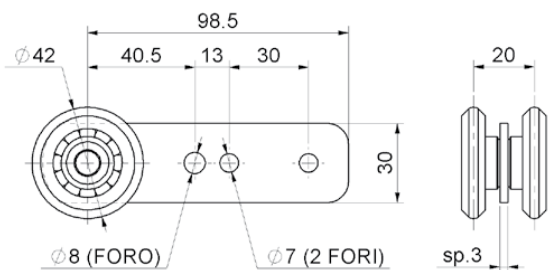
Versione INOX/Stainless steel art.756NYIX pag. 199



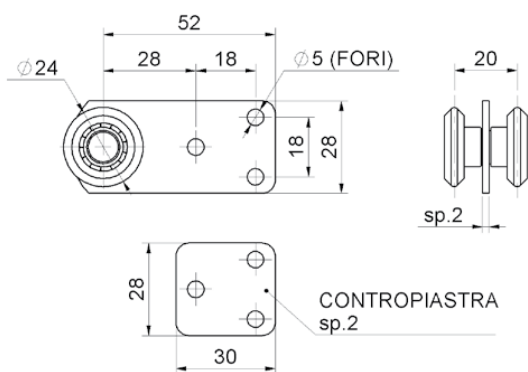
| cod.    | mm.     | pz/pcs | A  | C  | ØD  | E  | M   | portata per coppia | cusc. schermati |
|---------|---------|--------|----|----|-----|----|-----|--------------------|-----------------|
| 756NY.P | PICCOLO | 6      | 60 | 20 | Ø24 | 30 | M8  | 25 kg.             | no              |
| 756NY.M | MEDIO   | 6      | 95 | 22 | Ø40 | 50 | M12 | 350 kg.            | si              |

art. 766

Carrello scorrevole 2 ruote con staffa  
Sliding trolley with 2 wheels/bearings  
тележка подвесная оцинкованная 2 колеса



| cod.  | m.    | pz/pcs |
|-------|-------|--------|
| 766.M | MEDIO |        |



art. 768

Carrello scorrevole 2 ruote con staffa  
Sliding trolley with 2 wheels/bearings  
тележка подвесная оцинкованная 2 колеса

Versione INOX/Stainless steel art.756NYIX pag. 199



| cod.  | mm.     | pz/pcs | portata per carrello |
|-------|---------|--------|----------------------|
| 768.P | PICCOLO | 12     | 30 kg.               |

CATALOGO GENERALE 2017/18  
General Catalogue 2017/18

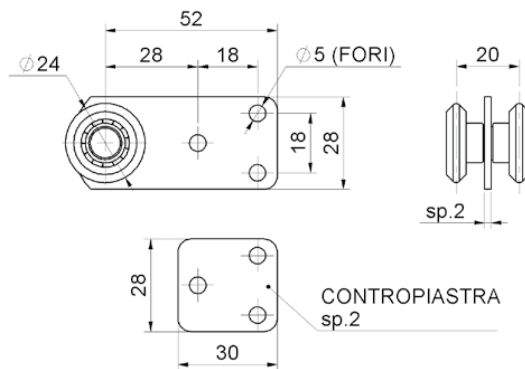


ACCESSORI CANCELLI SCORREVOLI  
Sliding Gates Accessories

art. **768 NY**

Carrello scorrevole 2 ruote nylon con staffa  
Nylon Sliding trolley with 2 wheels/bearings  
тележка подвесная с  
2 нейлоновыми роликами

Versione INOX/Stainless steel art.768NYIX pag. 199

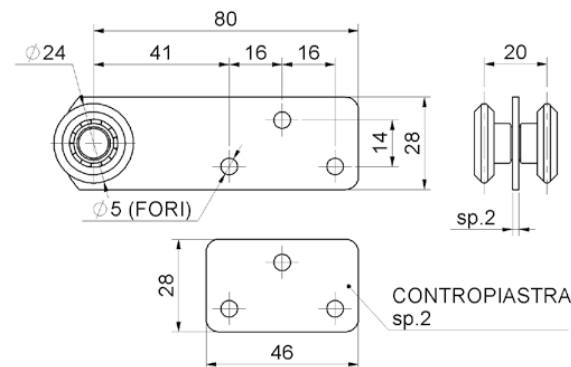


| cod.    | mm.     | pz/pcs |
|---------|---------|--------|
| 768NY.P | PICCOLO | 12     |

art. **770**

Carrello scorrevole 2 ruote con staffa lunga  
Sliding trolley with 2 wheels/bearings  
тележка подвесная  
оцинкованная 2 колеса

Versione INOX/Stainless steel art.770IX pag. 200

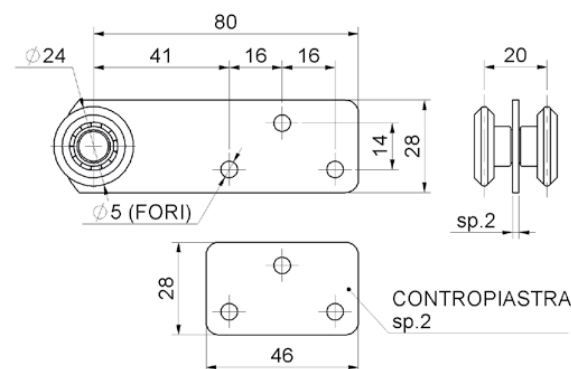


| cod.  | mm.     | pz/pcs | portata per carrello |
|-------|---------|--------|----------------------|
| 770.P | PICCOLO | 12     | 30 kg.               |

art. **770 NY**

Carrello scorrevole 2 ruote nylon  
con staffa lunga  
Sliding trolley with  
2 wheels/bearings nylon  
тележка подвесная с  
2 нейлоновыми роликами

Versione INOX/Stainless steel art.770NYIX pag. 200

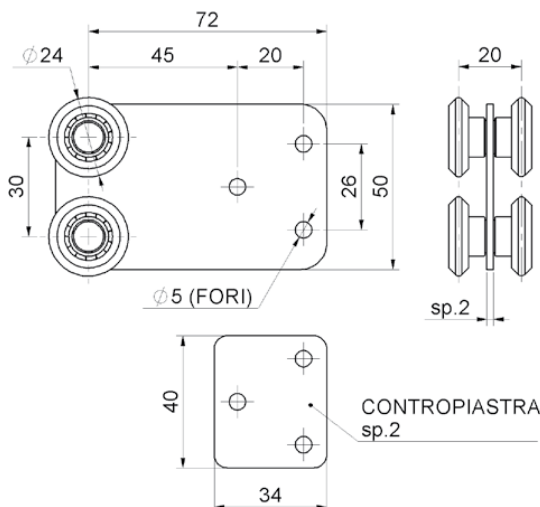


| cod.    | mm.     | pz/pcs |
|---------|---------|--------|
| 770NY.P | PICCOLO | 12     |



ACCESSORI CANCELLI SCORREVOLI  
Sliding Gates Accessories

art. 772



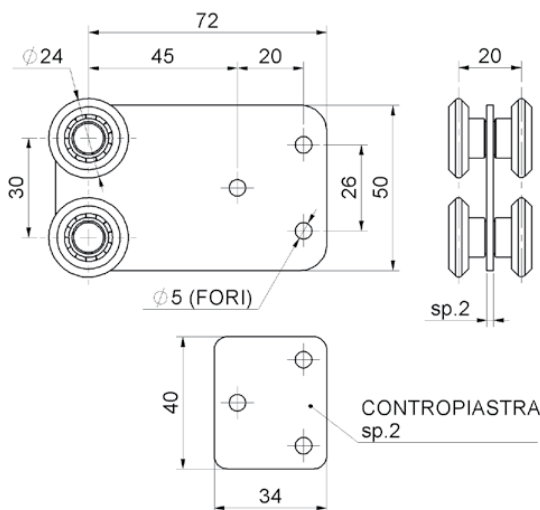
Carrello scorrevole 4 ruote con staffa larga  
Sliding trolley with 4 wheels/bearings  
тележка подвесная оцинкованная 4 колеса

Versione INOX/Stainless steel art.772IX pag. 201



| cod.  | mm.     | pz/pcs | portata per carrello |
|-------|---------|--------|----------------------|
| 772.P | PICCOLO | 6      | 50 kg.               |

art. 772 NY



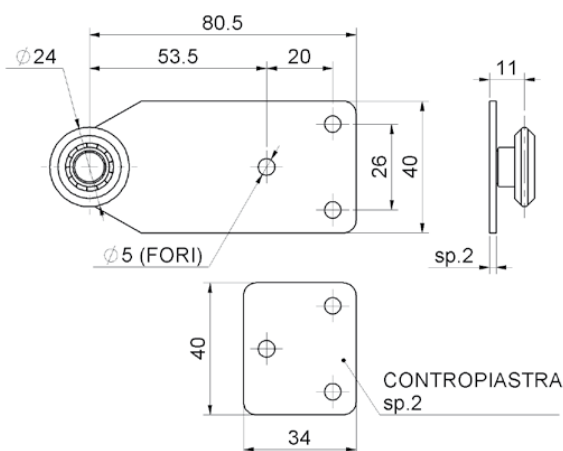
Carrello scorrevole 2 ruote nylon con staffa  
Sliding trolley with 2 wheels/bearings nylon  
тележка подвесная с 2 нейлоновыми роликами

Versione INOX/Stainless steel art.772NYIX pag. 201



| cod.    | mm.     | pz/pcs |
|---------|---------|--------|
| 772NY.P | PICCOLO | 6      |

art. 774



Carrello scorrevole 1 ruota con staffa  
Sliding trolley with 1 wheel/bearing  
тележка подвесная оцинкованная 1 колесо

Versione INOX/Stainless steel art.774IX pag. 201



| cod.   | mm.     | pz/pcs | portata |
|--------|---------|--------|---------|
| 774.24 | PICCOLO | 12     | 15 kg.  |

CATALOGO GENERALE 2017/18  
General Catalogue 2017/18

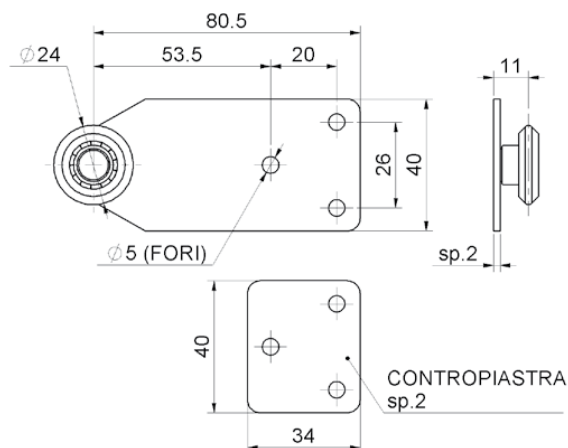


ACCESSORI CANCELLI SCORREVOLI  
Sliding Gates Accessories

art. **774 NY**

Carrello scorrevole 1 ruota nylon con staffa  
Sliding trolley with 1 wheel/bearing nylon  
тележка подвесная с  
1 нейлоновым роликом

Versione INOX/Stainless steel art.774NYIX pag. 202

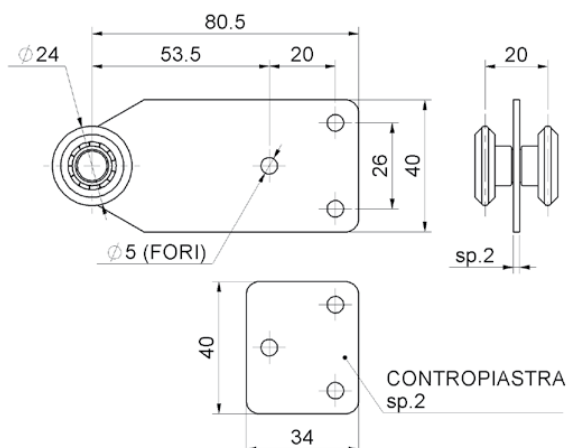
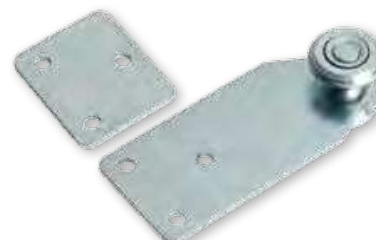


| cod.    | mm.     | pz/pcs |
|---------|---------|--------|
| 774NY.P | PICCOLO | 12     |

art. **776**

Carrello scorrevole 2 ruote con staffa  
Sliding trolley with 2 wheels/bearings  
тележка подвесная  
оцинкованная 2 колеса

Versione INOX/Stainless steel art.776IX pag. 202

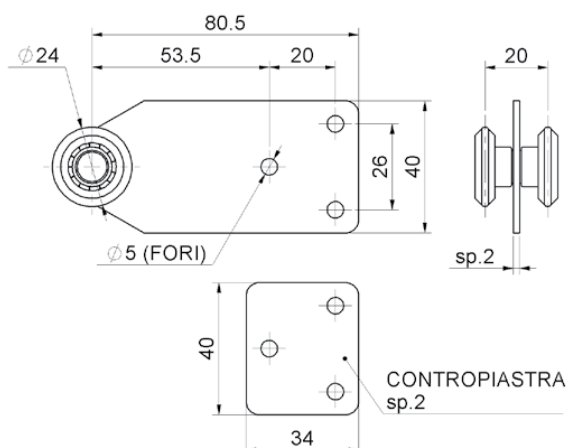


| cod.  | mm.     | pz/pcs | portata per carrello |
|-------|---------|--------|----------------------|
| 776.P | PICCOLO | 12     | 30 kg.               |

art. **776 NY**

Carrello scorrevole 2 ruote nylon con staffa  
Sliding trolley with 2 wheels/bearings nylon  
тележка подвесная с  
2 нейлоновыми роликами

Versione INOX/Stainless steel art.776NYIX pag. 202

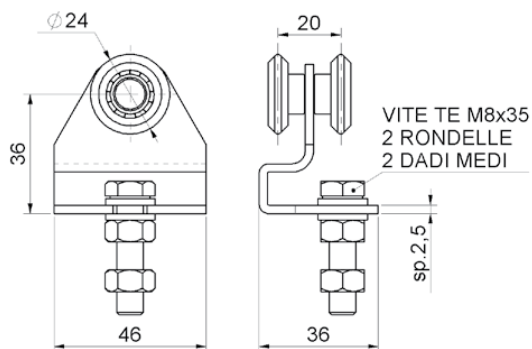


| cod.    | mm.     | pz/pcs |
|---------|---------|--------|
| 776NY.P | PICCOLO | 12     |



ACCESSORI CANCELLI SCORREVOLI  
Sliding Gates Accessories

art. 778



VITE TE M8x35  
2 RONDELLE  
2 DADI MEDI



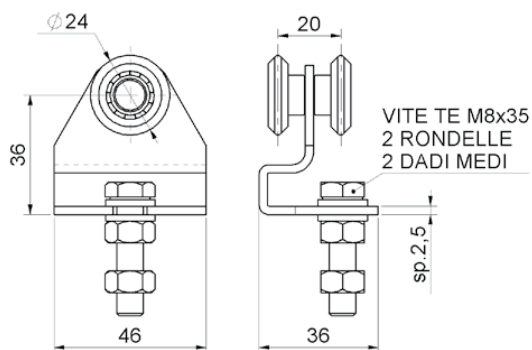
FISSARE

Carrello scorrevole 2 ruote con staffa piegata  
Sliding trolley with 2 wheels/bearings  
тележка подвесная  
оцинкованная 2 колеса



| cod.  | mm.     | pz/pcs | portata per carrello |
|-------|---------|--------|----------------------|
| 778.P | PICCOLO | 12     | 30 kg.               |

art. 778 NY



VITE TE M8x35  
2 RONDELLE  
2 DADI MEDI



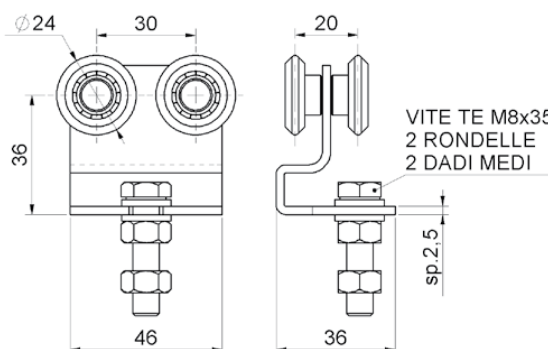
FISSARE

Carrello scorrevole 2 ruote nylon  
con staffa piegata  
Sliding trolley with 2 wheels/bearings nylon  
тележка подвесная с  
2 нейлоновыми роликами



| cod.    | mm.     | pz/pcs |
|---------|---------|--------|
| 778NY.P | PICCOLO | 12     |

art. 780



VITE TE M8x35  
2 RONDELLE  
2 DADI MEDI



FISSARE

Carrello scorrevole 4 ruote con staffa piegata  
Sliding trolley with 4 wheels/bearings  
тележка подвесная  
оцинкованная 4 колеса



| cod.  | mm.     | pz/pcs | portata per carrello |
|-------|---------|--------|----------------------|
| 780.P | PICCOLO | 12     | 50 kg.               |



CATALOGO GENERALE 2017/18  
General Catalogue 2017/18



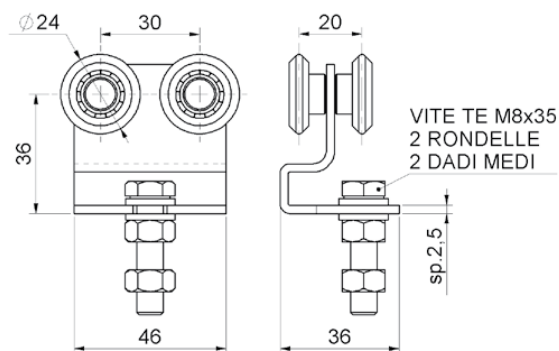
ACCESSORI CANCELLI SCORREVOLI  
Sliding Gates Accessories

art. **780** NY

Carrello scorrevole 4 ruote nylon  
con staffa piegata  
Sliding trolley with 4 wheels/bearings nylon  
тележка подвесная с  
2 нейлоновыми роликами



FISSARE



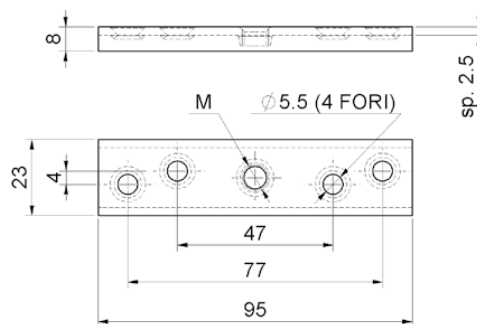
| cod.    | mm.     | pz/pcs |
|---------|---------|--------|
| 780NY.P | PICCOLO | 12     |

art. **782**

Staffa per carrelli scorrevoli  
Mounting - plate  
планка монтажная



FISSARE



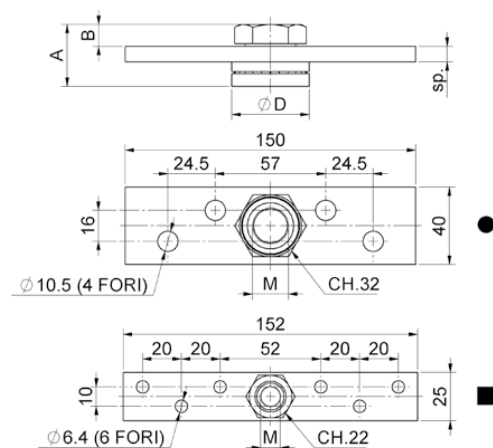
| cod.   | mm. | pz/pcs | M   |
|--------|-----|--------|-----|
| 782.8  | M8  | 50     | M8  |
| 782.10 | M10 | 50     | M10 |

art. **783**

Staffa girevole  
Twist bracket  
пластина монтажная



FISSARE



| cod.   | mm. | pz/pcs | A  | B  | $\varnothing D$  | sp. | M    |   |
|--------|-----|--------|----|----|------------------|-----|------|---|
| 783.12 | M12 | 50     | 18 | 7  | $\varnothing 24$ | 5   | M12  | ■ |
| 783.18 | M18 | 50     | 32 | 10 | $\varnothing 40$ | 8   | MB18 | ■ |
| 783.20 | M20 | 50     | 32 | 10 | $\varnothing 40$ | 8   | M20  | ● |

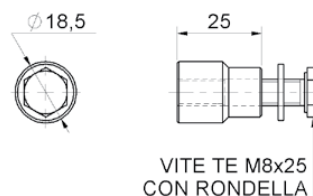
## art. 810 IX

Attacco inox per cremagliera a saldare  
Stainless steel rack fixing screw to be welded  
болт для рейки зубчатой,  
нержавеющая сталь

INOX



SALDARE



VITE TE M8x25  
CON RONDELLA



| cod.  | mm    | pz/pcs |
|-------|-------|--------|
| 810IX | UNICA | 30     |

## art. 753 IX

Carrello scorrevole 2 ruote  
con cuscinetti schermati inox  
Stainless steel sliding trolley with  
2 screened wheels/bearings  
подвесная тележка с 2 роликами

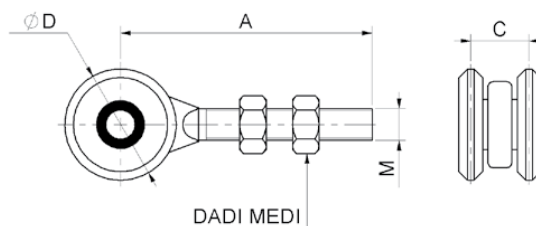
INOX



FISSARE



CUSCINETTO



DADI MEDI



| cod.    | mm.     | pz/pcs | A  | C  | ØD  | M   | portata per coppia |
|---------|---------|--------|----|----|-----|-----|--------------------|
| 753IX.P | PICCOLO | 12     | 60 | 20 | Ø24 | M8  | 50 kg.             |
| 753IX.M | MEDIO   | 12     | 95 | 22 | Ø42 | M12 | 300 kg.            |

## art. 754 IX

Carrello scorrevole 4 ruote  
con cuscinetti schermati inox  
Stainless steel sliding trolley  
with 4 screened wheels/bearings  
подвесная тележка с 4 роликами

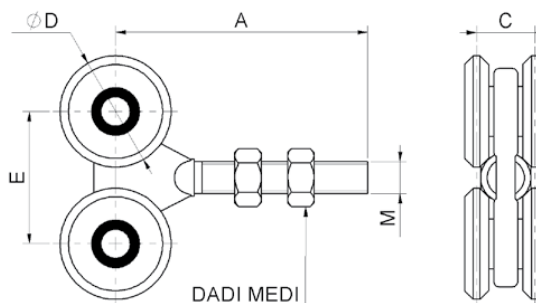
INOX



FISSARE



CUSCINETTO



DADI MEDI

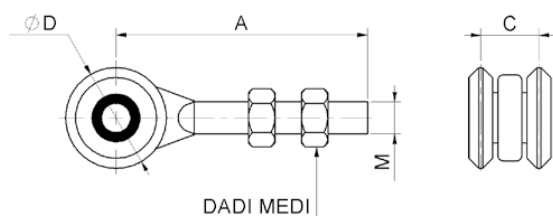


| cod.    | mm.     | pz/pcs | A  | C  | ØD  | E  | M   | portata per coppia |
|---------|---------|--------|----|----|-----|----|-----|--------------------|
| 754IX.P | PICCOLO | 6      | 60 | 20 | Ø24 | 30 | M8  | 75 kg.             |
| 754IX.M | MEDIO   | 6      | 95 | 22 | Ø42 | 50 | M12 | 900 kg.            |

INOX  
Stainless Steel

## art. 755 NYIX

Carrello scorrevole Inox 2 ruote nylon con cuscinetti schermati  
Stainless steel sliding trolley with 2 nylon screened wheels/bearings  
тележка подвесная из нержавеющей стали с 2 нейлоновыми роликами



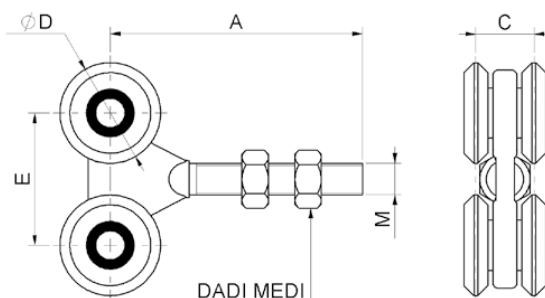
INOX



| cod.      | mm.     | pz/pcs | A  | C  | ØD  | M   | portata per coppia | cusc. schermati |
|-----------|---------|--------|----|----|-----|-----|--------------------|-----------------|
| 755NYIX.P | PICCOLO | 12     | 60 | 20 | Ø24 | M8  | 15 kg.             | no              |
| 755NYIX.M | MEDIO   | 12     | 95 | 22 | Ø40 | M12 | 150 kg.            | si              |

## art. 756 NYIX

Carrello scorrevole Inox 4 ruote nylon con cuscinetti schermati  
Stainless steel sliding trolley with 4 nylon screened wheels/bearings  
тележка подвесная из нержавеющей стали с 4 нейлоновыми роликами



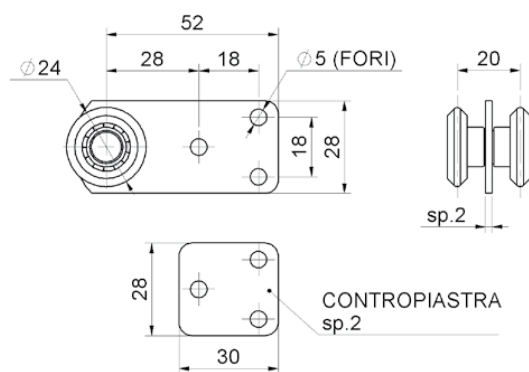
INOX



| cod.      | mm.     | pz/pcs | A  | C  | ØD  | E  | M   | portata per coppia | cusc. schermati |
|-----------|---------|--------|----|----|-----|----|-----|--------------------|-----------------|
| 756NYIX.P | PICCOLO | 6      | 60 | 20 | Ø24 | 30 | M8  | 25 kg.             | no              |
| 756NYIX.M | MEDIO   | 6      | 95 | 22 | Ø40 | 50 | M12 | 350 kg.            | si              |

## art. 768 IX

Carrello scorrevole Inox 2 ruote con staffa  
Stainless steel Sliding trolley with 2 wheels/bearings  
тележка подвесная из нержавеющей стали 2 колеса



INOX



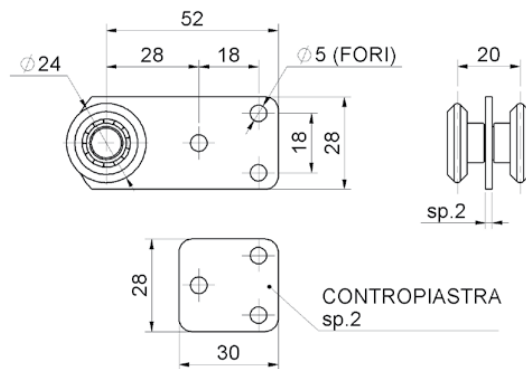
| cod.    | mm.     | pz/pcs | portata per carrello |
|---------|---------|--------|----------------------|
| 768IX.P | PICCOLO | 12     | 30 kg.               |

CATALOGO GENERALE 2017/18  
General Catalogue 2017/18

CA INOX  
Stainless Steel

## art. 768 NYIX

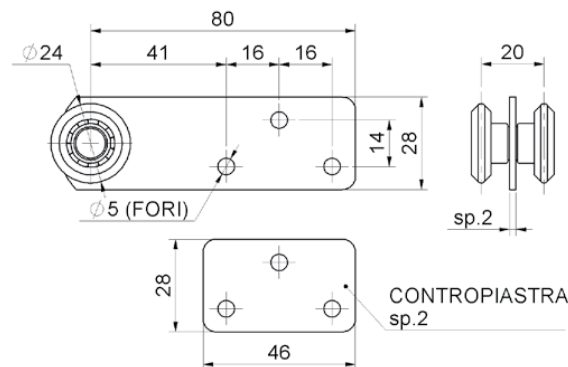
Carrello scorrevole Inox  
2 ruote nylon con staffa  
Stainless steel sliding trolley with  
2 Nylon wheels/bearings  
тележка подвесная из нержавеющей  
стали с 2 нейлоновыми роликами



| cod.      | mm.     | pz/pcs |
|-----------|---------|--------|
| 768NYIX.P | PICCOLO | 12     |

## art. 770 IX

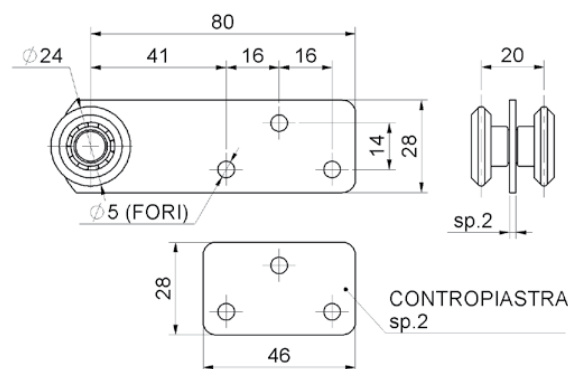
Carrello scorrevole Inox  
2 ruote con staffa lunga  
Stainless steel Sliding trolley  
with 2 wheels/bearings  
тележка подвесная из нержавеющей  
стали 2 колеса



| cod.    | mm.     | pz/pcs | portata per carrello |
|---------|---------|--------|----------------------|
| 770IX.P | PICCOLO | 12     | 30 kg.               |

## art. 770 NYIX

Carrello scorrevole Inox  
2 ruote nylon con staffa lunga  
Stainless steel Sliding trolley  
with 2 nylon wheels/bearings  
тележка подвесная из нержавеющей  
стали с 2 нейлоновыми роликами



| cod.      | mm.     | pz/pcs |
|-----------|---------|--------|
| 770NYIX.P | PICCOLO | 12     |

CA INOX  
Stainless Steel

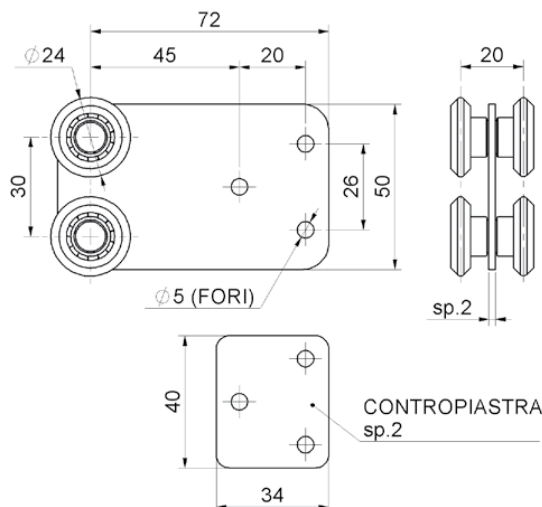
## art. 772 IX

Carrello scorrevole Inox  
4 ruote con staffa larga  
Stainless steel Sliding trolley  
with 4 wheels/bearings  
тележка подвесная из  
нержавеющей стали 4 колеса

INOX



FISSARE



| cod.    | mm.     | pz/pcs | portata per carrello |
|---------|---------|--------|----------------------|
| 772IX.P | PICCOLO | 6      | 50 kg.               |

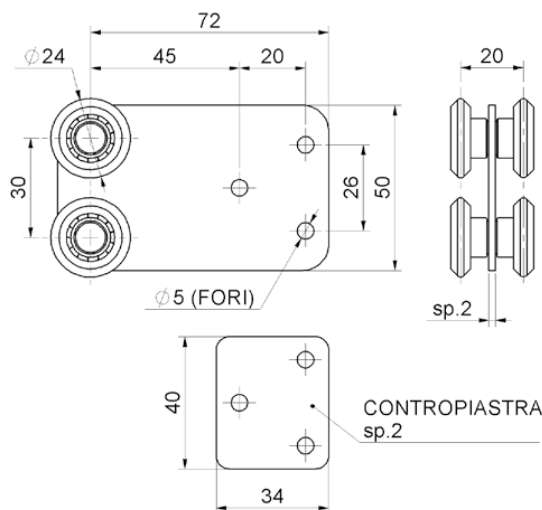
## art. 772 NYIX

Carrello scorrevole Inox  
2 ruote nylon con staffa  
Stainless steel sliding trolley  
with 2 nylon wheels/bearings  
тележка подвесная из нержавеющей  
стали с 2 нейлоновыми роликами

INOX



FISSARE



| cod.      | mm.     | pz/pcs |
|-----------|---------|--------|
| 772NYIX.P | PICCOLO | 6      |

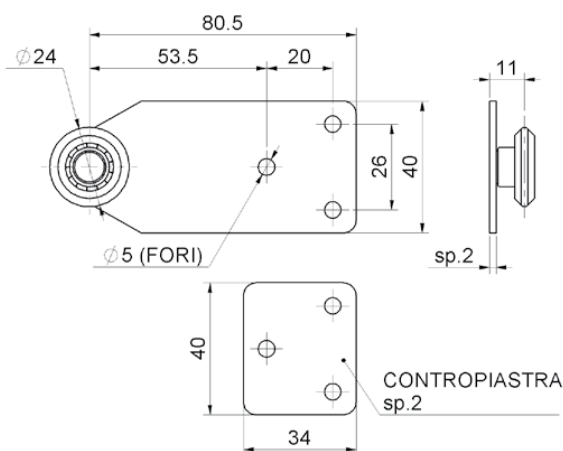
## art. 774 IX

Carrello scorrevole Inox 1 ruota con staffa  
Stainless steel Sliding trolley  
with 1 wheel/bearing  
тележка подвесная из  
нержавеющей стали 1 колесо

INOX



FISSARE



| cod.    | mm.     | pz/pcs | portata per carrello |
|---------|---------|--------|----------------------|
| 774IX.P | PICCOLO | 12     | 15 kg.               |

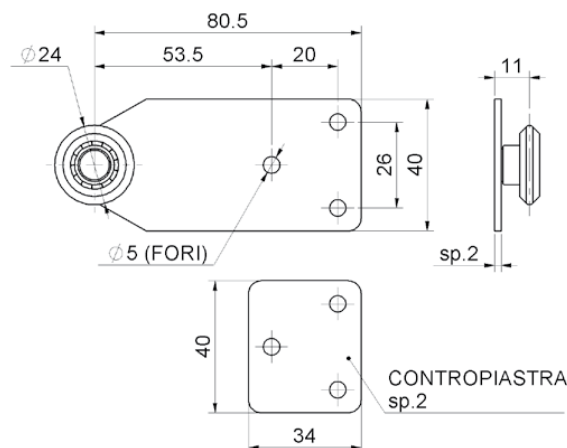
CATALOGO GENERALE 2017/18  
General Catalogue 2017/18

CA INOX  
Stainless Steel

## art. 774 NYIX

Carrello scorrevole Inox  
1 ruota nylon con staffa  
Stainless steel Sliding trolley  
with 1 nylon wheel/bearing  
тележка подвесная из нержавеющей  
стали с 1 нейлоновым роликом

INOX

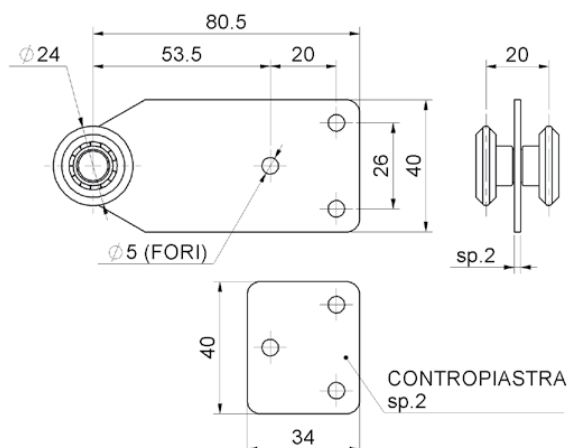


| cod.      | mm.     | pz/pcs |
|-----------|---------|--------|
| 774NYIX.P | PICCOLO | 12     |

## art. 776 IX

Carrello scorrevole Inox 2 ruote con staffa  
Stainless steel Sliding trolley  
with 2 wheels/bearings  
тележка подвесная из нержавеющей  
стали 2 колеса

INOX

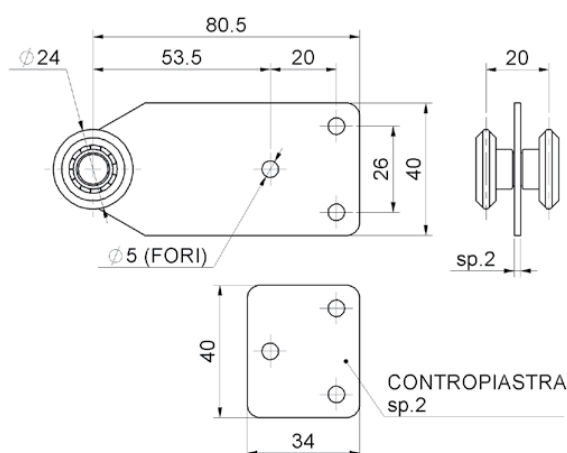


| cod.    | mm.     | pz/pcs | portata per carrello |
|---------|---------|--------|----------------------|
| 776IX.P | PICCOLO | 12     | 30 kg.               |

## art. 776 NYIX

Carrello scorrevole Inox  
2 ruote nylon con staffa  
Stainless steel Sliding trolley  
with 2 nylon wheels/bearings  
тележка подвесная из нержавеющей  
стали с 2 нейлоновыми роликами

INOX



| cod.      | mm.     | pz/pcs |
|-----------|---------|--------|
| 776NYIX.P | PICCOLO | 12     |

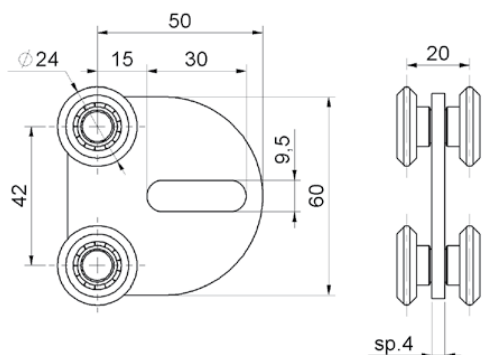
**INOX**  
Stainless Steel

art. **784 IX**

Carrello scorrevole Inox 4 ruote  
con staffa mezzaluna

Stainless steel Sliding trolley  
with 4 wheels/bearings

тележка подвесная из нержавеющей  
стали с 4 роликами



**INOX**



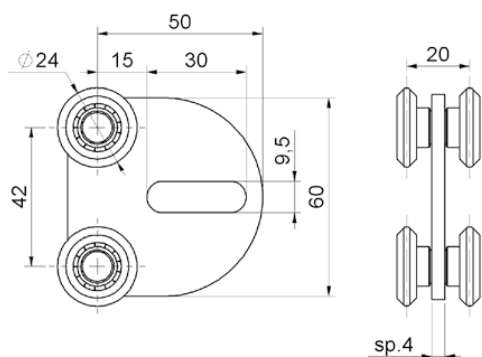
| cod.    | mm.     | pz/pcs | portata per coppia |
|---------|---------|--------|--------------------|
| 784IX.P | PICCOLO | 12     | 75 kg.             |

art. **784 NYIX**

Carrello scorrevole Inox 4 ruote nylon  
con staffa mezzaluna

Stainless steel Sliding trolley with  
4 nylon wheels/bearings

тележка подвесная из нержавеющей  
стали с 4 нейлоновыми роликами



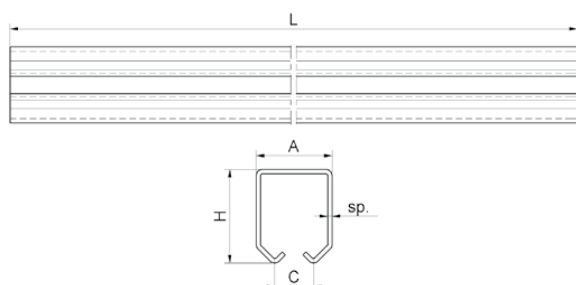
**INOX**



| cod.      | mm.     | pz/pcs |
|-----------|---------|--------|
| 784NYIX.P | PICCOLO | 12     |

art. **920 IX**

Monorotaia superiore per carrelli scorrevoli inox  
Stainless steel sliding trolley track  
направляющий рельс



**INOX**



| cod.     | mm.     | pz/pcs | L    | A  | C  | H  | sp  |
|----------|---------|--------|------|----|----|----|-----|
| 920IX.P6 | PICCOLA | 1      | 6000 | 33 | 20 | 34 | 2   |
| 920IX.M6 | MEDIA   | 1      | 6000 | 42 | 22 | 54 | 2,5 |

INOX Stainless Steel

COMBIARIALDO 203